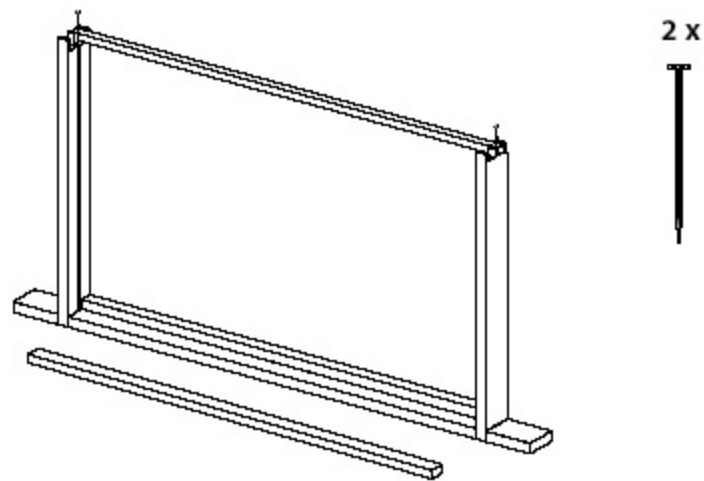
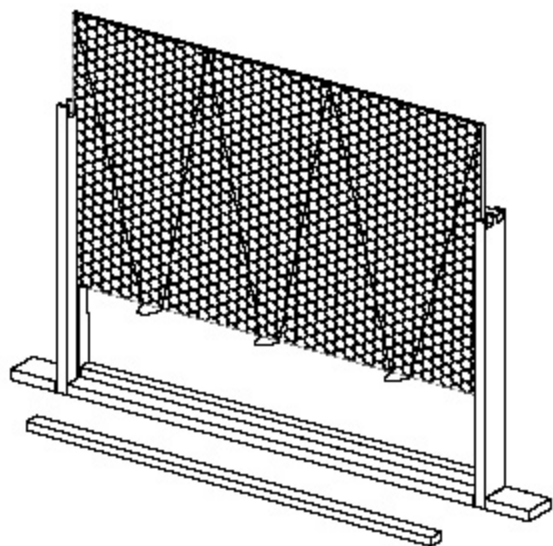


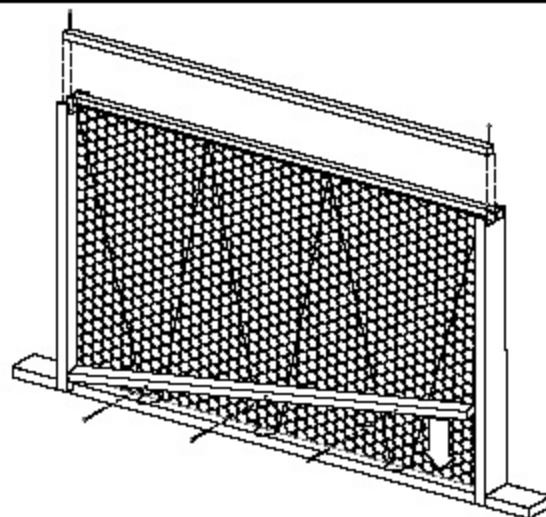
1 Break out wedge strip from Top bar & retain. Slot side bars onto top bar as shown, with groove to inside. Nail in place as indicated with 2 x 19mm black Gimp pins



2 Place first bottom rail in position as shown and nail in place as indicated with 2 x 19mm black Gimp pins.



3 Carefully slide wax insert into side grooves until wire loops rest on Top bar.



4 Press wedge strip (from step 1) between side rails, down onto wire loops as shown and nail into rear of top rail with 3 x 19mm black Gimp pins as shown. Fit second bottom rail and nail in place as indicated with 2 x 19mm black Gimp pins.